

SPECIFICATIONS

Mechanical

Mating Force: 90gf max. per Contact
Unmating Force: 10gf min. per Contact
Durability: 50 Cycles

Electrical

Current Rating: 0.5A DC
Contact Resistance: 50mΩ max. (for Mated height = 8mm)
 70mΩ max. (for Mated height > 8mm)
Dielectrical Withstanding Voltage: 200V
Insulation Resistance: 500MΩ min.(initial) , 100MΩ min.(after)

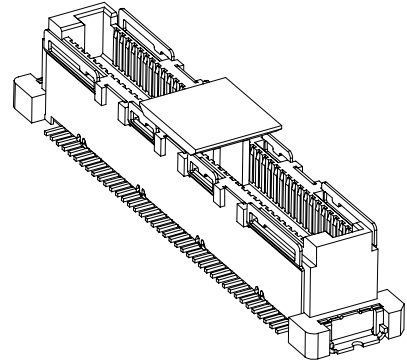
Physical

Housing: LCP, UL 94V-0 rated in Ivory White Color
Contact: Brass
Plating: 4~10u" min. Gold Plating on Contact Area
Metal Ear: Brass
Operating Temperature: -40 to +80

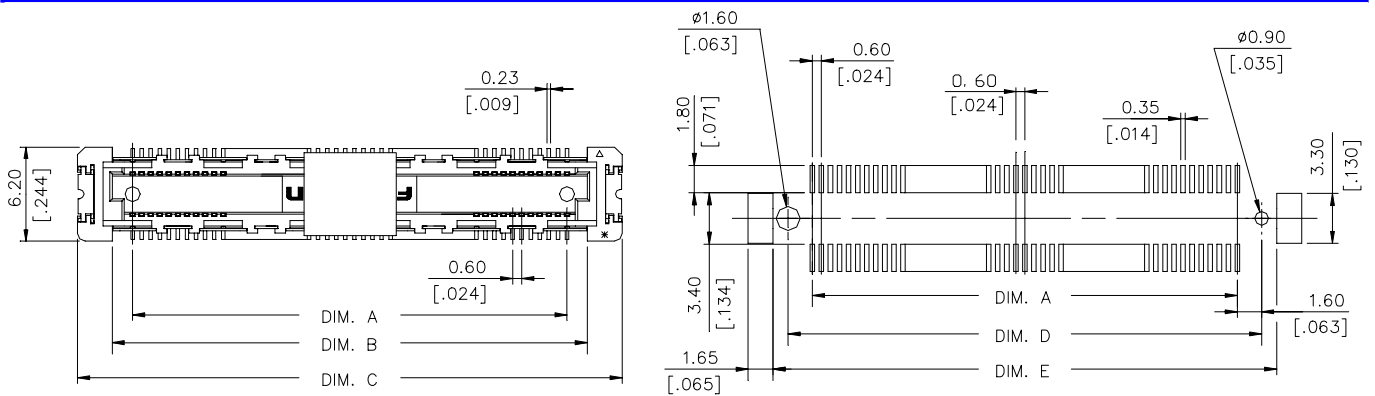
Board to Board Connector

QTS0 Series
0.60mm [.024"] Pitch
Vertical, Plug
for High Speed application

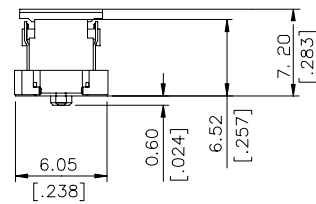
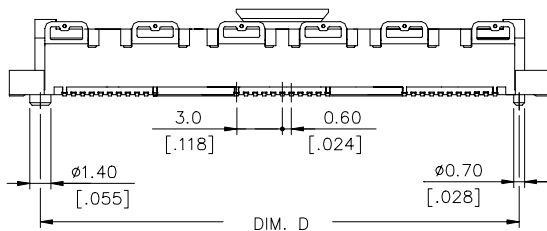
Mated with QTS1 Series



DRAWING



RECOMMENDED P.C.B. LAYOUT



ORDERING INFORMATION

PRODUCT NO.: Q T S 0 * * * A - 4 1 2 1 - 9 F

Series Prefix ————
 S=0.6 [0.024] Pitch ————
 0=Plug ————
 No. of Pos. ————
 030=30 Pos.
 150=150 Pos.
 Contact Area Plating ————
 A=4~10u" Gold

F: Lead Free
 Package
 9=Tape&Reel(single) W/ Cap
 Metal Ear
 1=W/ M/E
 Metal shield & Solder Type
 1=W/ S/P & SMT type
 Profile Height
 4=6.52 [0.257]

POS.	DIM. A	DIM. B	DIM. C	DIM. D	DIM. E
150	44.4 [1.748]	47.1 [1.854]	51.7 [2.035]	47.6 [1.874]	48.8 [1.921]
130	38.4 [1.512]	41.1 [1.630]	45.7 [1.780]	41.6 [1.638]	42.8 [1.685]
110	32.4 [1.276]	35.1 [1.382]	39.7 [1.563]	35.6 [1.402]	36.8 [1.449]
90	26.4 [1.039]	29.1 [1.146]	33.7 [1.327]	29.6 [1.165]	30.8 [1.213]
70	20.4 [.803]	23.1 [.909]	27.7 [1.091]	23.6 [.929]	24.8 [.976]
50	14.4 [.567]	17.1 [.673]	21.7 [.854]	17.6 [.693]	18.8 [.740]
30	8.4 [.331]	11.1 [.437]	15.7 [.618]	11.6 [.457]	12.8 [.504]